

ST Series

Positioning your speakers with your ears and away from objects that could cause reflections allows you to extract maximum performance from your speakers. Enhance your audio experience with the ST-series floor-standing speaker stands designed for bookshelf and standmount speakers up to 30 lbs. These stands are made with sturdy steel columns and the option of an MDF or exposed plywood base to provide stability. Leveling rubber feet are included for hard floors along with carpet spikes for secure floor coupling. Built-in cable management keeps your cables organized and out of sight while the understated design of these stands complements any home decor. The ST series speaker stands are sold as a pair and are available in 28" or 34" heights with a beautifully finished plywood or black MDF base.

FEATURES & SPECIFICATIONS

- Available in 28" and 34" heights to position speakers inline with your ears
 - Each stand supports speakers weighing up to 30 lbs. (13.6 kg)
 - Hollow interior and bottom channels help to conceal cables and speaker wire
 - Includes spiked and domed feet for carpet and hardwood flooring
 - Top plate measures 5.9" W x 7.9" L (15 cm x 20 cm)
 - Sold as a pair
 - Two year manufacturer's warranty
- ST28 - UPC: 800152721538
 - ST28P - UPC: 800152721545
 - Shipping box weight: 16.5 lb (7.5 kg)
 - Shipping box dimensions: 29.8" x 10.3" x 3.4" (75.7 x 26.2 x 8.6 cm)
 - Product weight: 13.9 lb (6.3 kg)
 - ST34 - UPC: 800152721552
 - ST34P - UPC: 800152721569
 - Shipping box weight: 18.5 lb (8.4 kg)
 - Shipping box dimensions: 34.7" x 10.3" x 3.4" (88.2 x 26.2 x 8.6 cm)
 - Product weight: 15.4 lb (7 kg)



AVAILABLE
COLORS



BLACK



BLACK +
PLYWOOD BASE

TECHNICAL ILLUSTRATIONS



BETTER SOUND

Line speakers up with your ears, place them in the room to avoid peaks or nulls in bass response, and reduce reflections from walls or furniture that can combine with the incoming audio signal and muddy the sound.



TIMELESS DESIGN

Sporting an understated, timeless design, ST looks great in any room. Available as a pair in 28" or 34" heights with a finished plywood or black MDF base.



CLUTTER FREE

Route speaker wire and full-size power cables through the spacious steel column to keep your wiring organized and out of sight while reducing tripping hazards.



HEAVY-DUTY

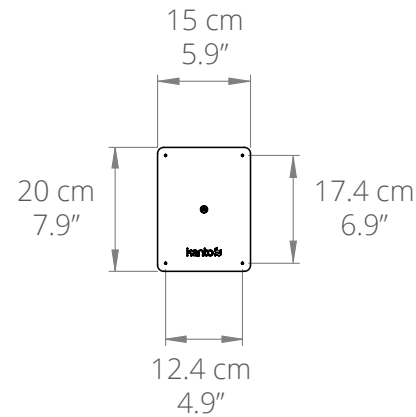
Made with sturdy steel tubing to reduce vibrations and increase stability, ST-series is compatible with speakers up to 30 lbs each.



ALL SURFACES

Height adjustable rubber feet and carpet spikes let you use ST on any floor and level your speakers for superior performance and looks.

Top Plate



Bottom Plate

